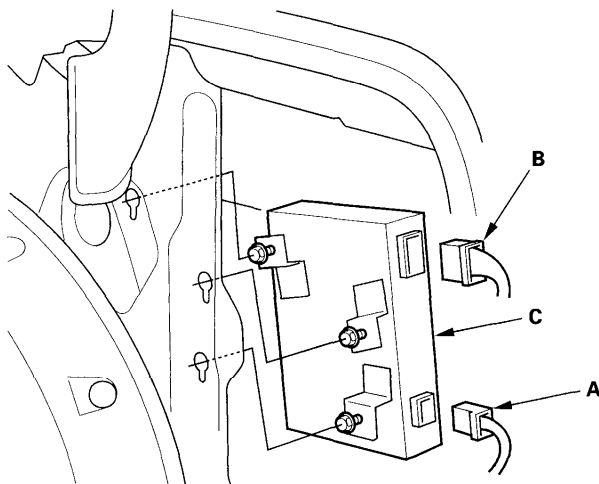




XM Receiver Removal/Installation

'05-07 models

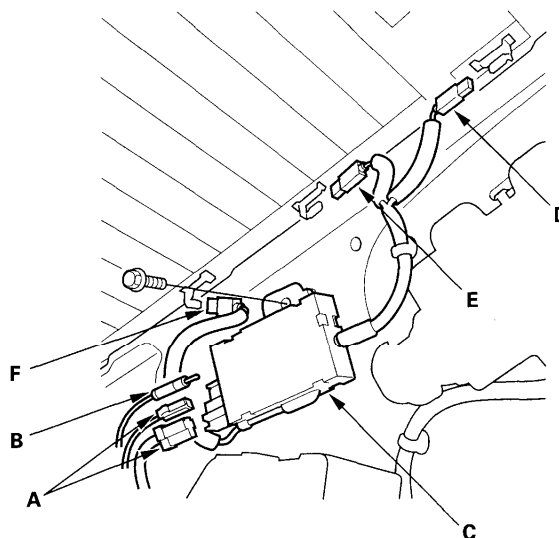
1. Open the trunk lid and remove the right trunk side trim panel (see page 20-68).
2. Disconnect the antenna 2P connector (A) and 14P connector (B) from the XM receiver (C).



3. Loosen the three nuts and remove the XM receiver.
4. Install in the reverse order of removal.

AM/FM Antenna Amplifier-Rear Window Defogger Coil Replacement

1. Remove the left C-pillar trim (see page 20-65).
2. Disconnect the 1P connectors (A) and the AM/FM antenna lead jack (B) from the AM/FM antenna amplifier-rear window defogger coil (C).



3. Disconnect the AM (D), FM (E), and defogger (F) 1P connectors from the C-pillar.
4. Remove the bolt and the AM/FM antenna amplifier-rear window defogger coil.
5. Install the AM/FM antenna amplifier in the reverse order of removal.