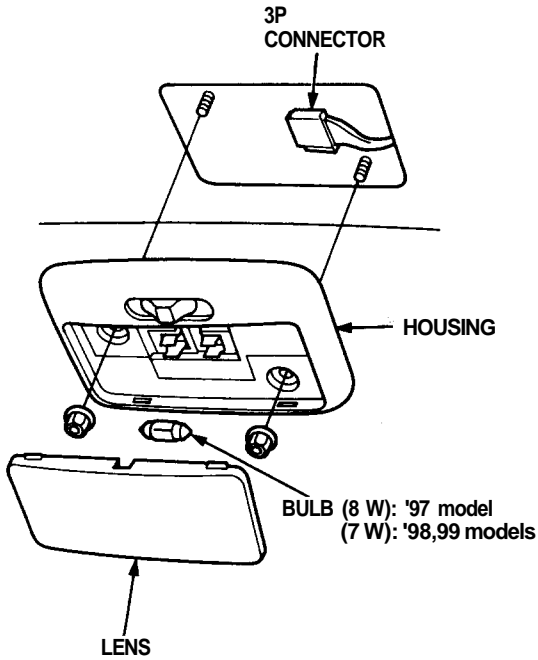


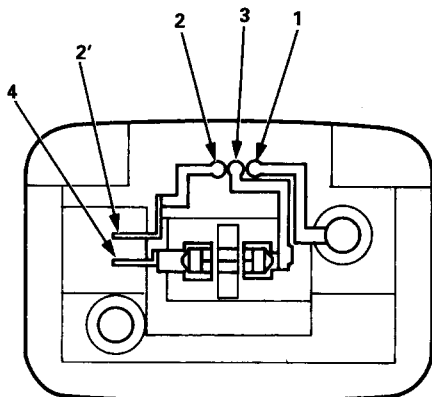
## Ceiling Light Test

1. Turn the light switch OFF.
2. Pry off the lens.



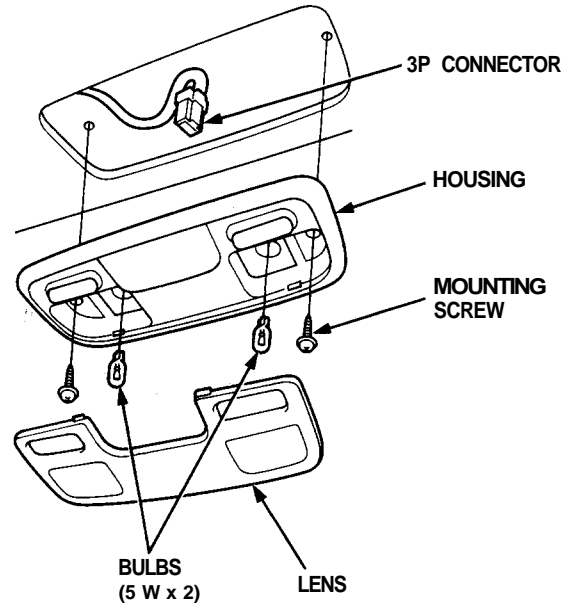
3. Remove the two mounting nuts and the housing.
4. Disconnect the 3P connector from the housing.
5. Check for continuity between the terminals in each switch position according to the table.

Terminal	1	2or2'	3	4
Position OFF			○—⊗—○	
MIDDLE		○—○	⊗—○	○
ON	○		○—⊗—○	



## Spotlights Test

1. Pry off the lens.



2. Remove the two mounting screws.
3. Disconnect the 3P connector from the housing.
4. Check for continuity between the terminals in each switch position according to the table.

Terminal	1		3
Position LEFT	ON	○—⊗—○	○
OFF			
Position RIGHT	ON	○—⊗—○	○
OFF			

