



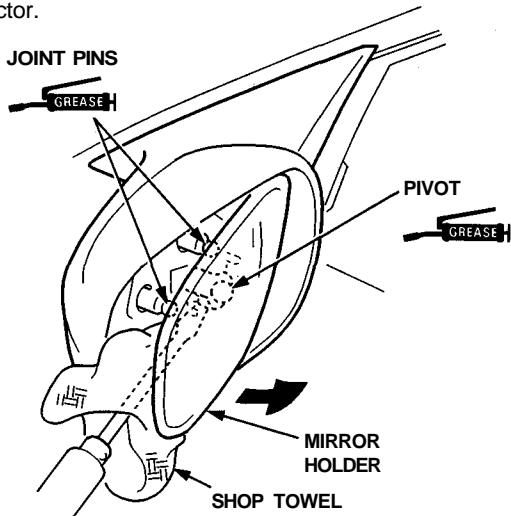
## Mirror Holder Replacement

### CAUTION:

- Wear gloves to remove and install the mirror holder.
- When prying with a flat tip screwdriver, wrap it with a shop towel to prevent damage.

1. Carefully remove the mirror holder with a flat tip screwdriver as shown.

NOTE: If so equipped, disconnect the defogger connector.

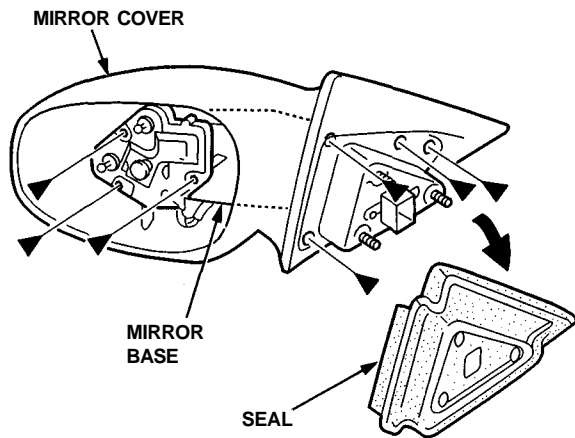
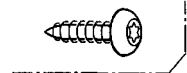


2. Installation is the reverse of the removal procedure.  
NOTE: Apply grease to the locations indicated by the arrows.

## Mirror Cover Replacement

NOTE: Remove the special screws with a Torx T10 bit.

### ►: Screw locations, 7



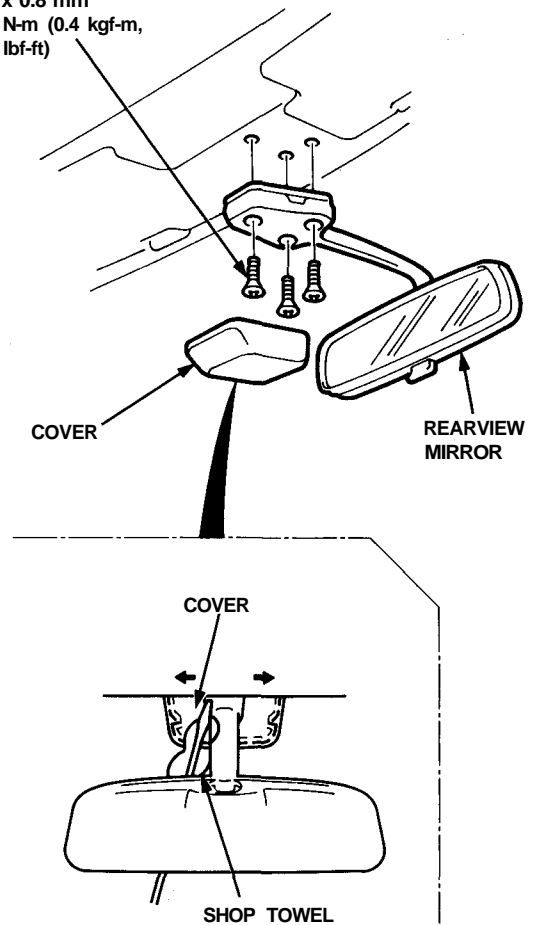
Installation is the reverse of the removal procedure.

## Rearview Mirror Removal

1. Remove the cover using the end of a flat tip screwdriver.

CAUTION: When prying with a flat tip screwdriver, wrap it with a shop towel to prevent damage.

SCREW  
5 x 0.8 mm  
4 N-m (0.4 kgf-m,  
3 lbf-ft)



2. Remove the screws, then remove the rearview mirror.
3. Installation is the reverse of the removal procedure.