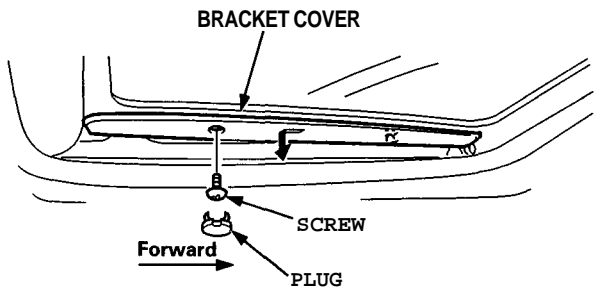


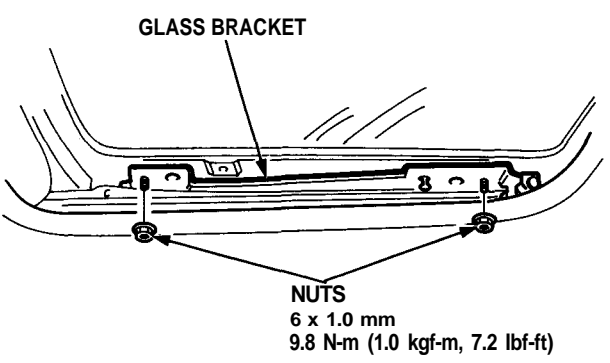
Moonroof

Glass, Glass Bracket and Sunshade Replacement

1. Close the glass fully.
2. Slide the sunshade all the way back.
3. Remove both bracket covers.

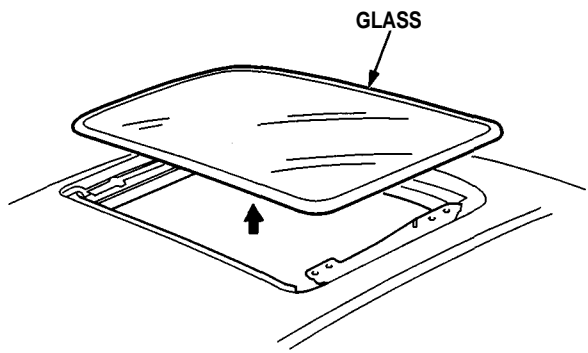


4. Remove the nuts from both glass brackets.

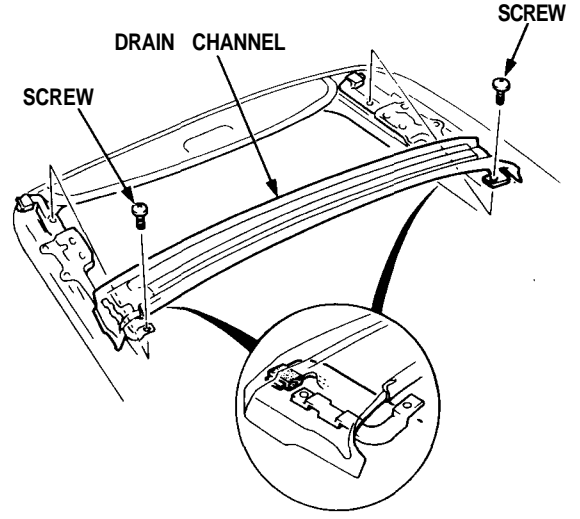


5. Remove the glass by lifting up and pulling forward as shown.

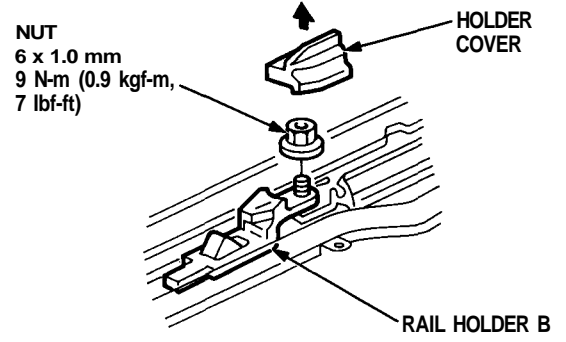
NOTE: Do not damage the roof panel.



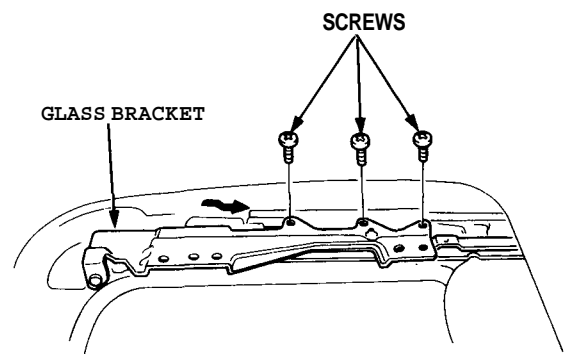
6. Remove the drain channel.



7. Remove the holder cover, then remove the rail holder B.

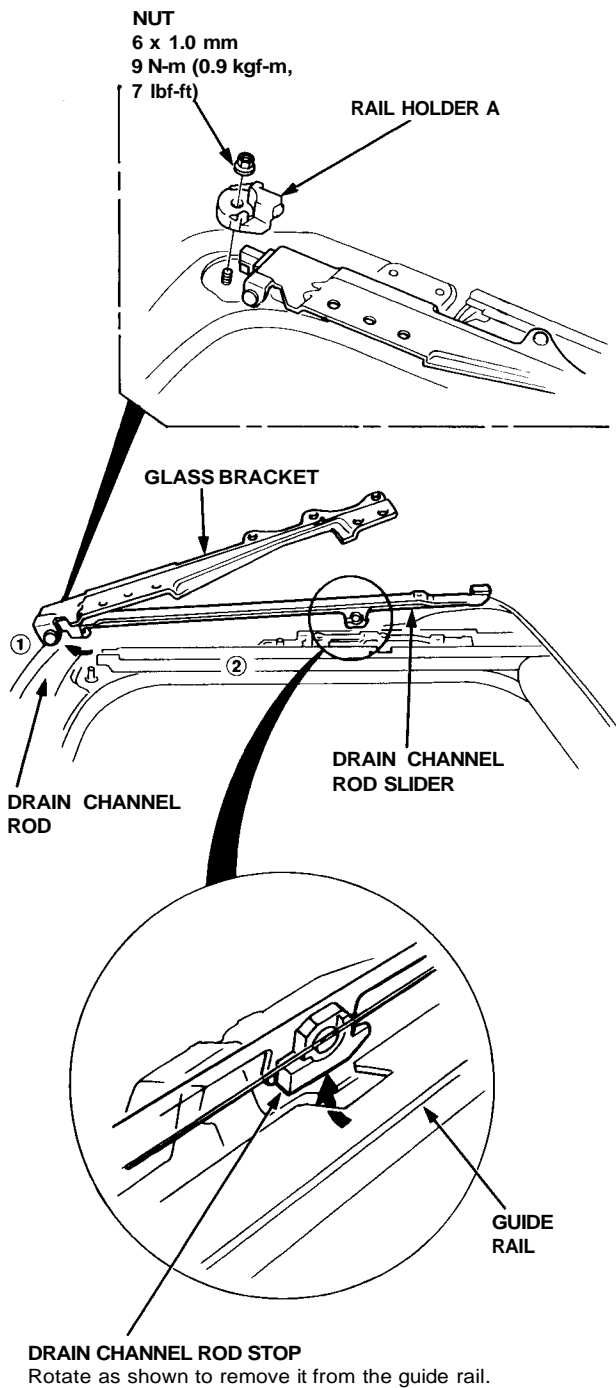


8. Using the moonroof wrench, move the glass bracket to the position where the moonroof normally pivots down, and remove the screws.





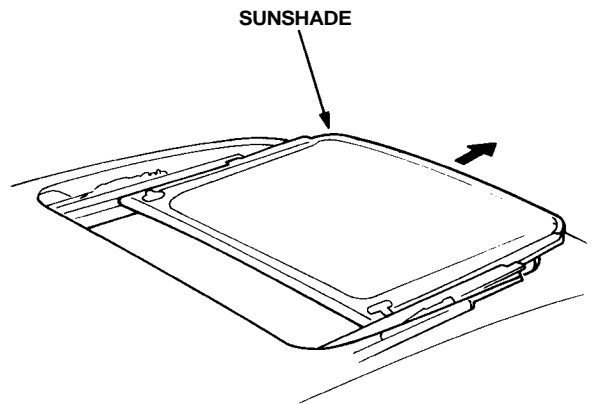
9. Remove the rail holder A.



10. Remove the drain channel rod slider by moving the cable slider forward using the moonroof wrench.

11. Detach the drain channel rod stop from the cutout of the guide rail as shown.

12. Slide the sunshade forward, then remove it.



13. Installation is the reverse of the removal procedure.

NOTE: Check the glass height (see page 20-31).

14. Check for water leaks.

NOTE: Do not use high-pressure water.