



**Side Defogger Vent Trim Pops Up From Dashboard**

**SYMPTOM**

The side defogger vent trim pops up from the dashboard.

**PROBABLE CAUSE**

The locking tabs on the vent trim have inadequate strength to hold the vent trim securely to the dashboard.

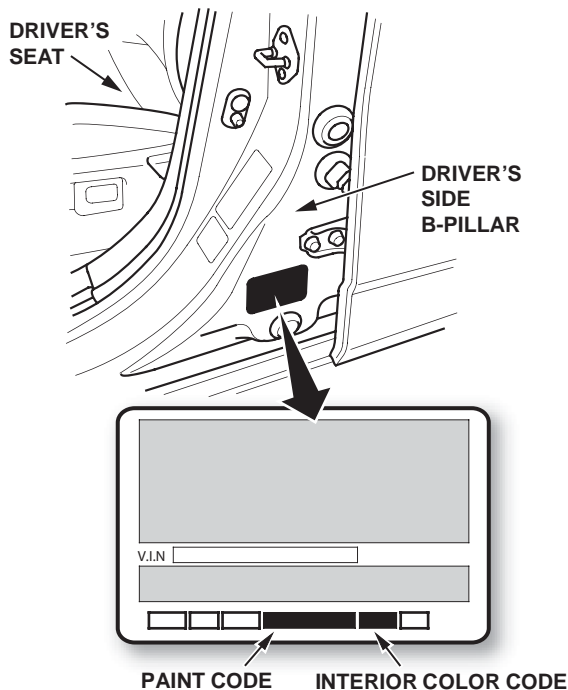
**CORRECTIVE ACTION**

Replace any loose vent trim.

**PARTS INFORMATION**

NOTE: Verify the proper part number by using the VIN or the Interior Color Code (“Clr Label” in the Parts Catalog) found on the label located near the bottom of the driver’s side B-pillar.

*Interior Color Code location on VIN label*



**Driver’s Side Defogger Vent Trim**

- P/N 77475–STX-A00ZA (NH167L, Graphite Black)
- P/N 77475–STX-A00ZB (NH557L, Medium Grey)
- P/N 77475–STX-A00ZC (YR292L, Beige)
- P/N 77475–STX-A00ZD (NH690L, Black)

**Passenger’s Side Defogger Vent Trim**

- P/N 77470–STX-A00ZA (NH167L, Graphite Black)
- P/N 77470–STX-A00ZB (NH557L, Medium Grey)
- P/N 77470–STX-A00ZC (YR292L, Beige)
- P/N 77470–STX-A00ZD (NH690L, Black)

**TOOL INFORMATION**

KTC Trim Tool Set: P/N SOJATP2014

Available through the Acura Tool and Equipment Program; call (888) 424-6857

**WARRANTY CLAIM INFORMATION**

OP#	Description	FRT
8411U5	Replace the driver or the passenger side defogger vent trim.	0.2
8411U5A	Replace the other side.	0.2

Failed Part: 77475-STX-A00ZB  
 Defect Code: 01101  
 Symptom Code: 07302  
 Skill Level: Repair Technician



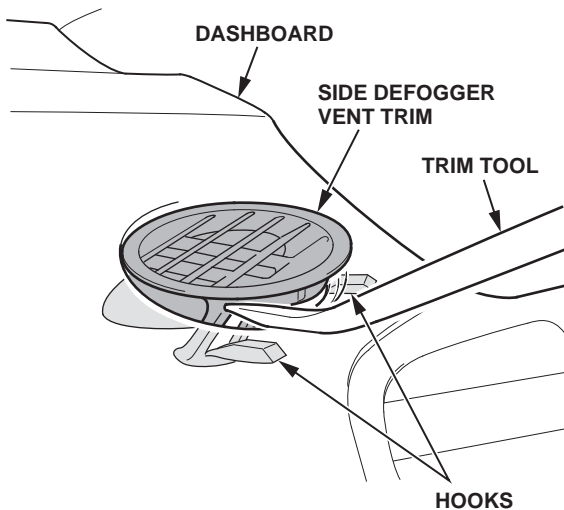
**CLIENT INFORMATION:** The information in this bulletin is intended for use only by skilled technicians who have the proper tools, equipment, and training to correctly and safely maintain your vehicle. These procedures should not be attempted by “do-it-yourselfers,” and you should not assume this bulletin applies to your vehicle, or that your vehicle has the condition described. To determine whether this information applies, contact an authorized Acura automobile dealer.

## REPAIR PROCEDURE

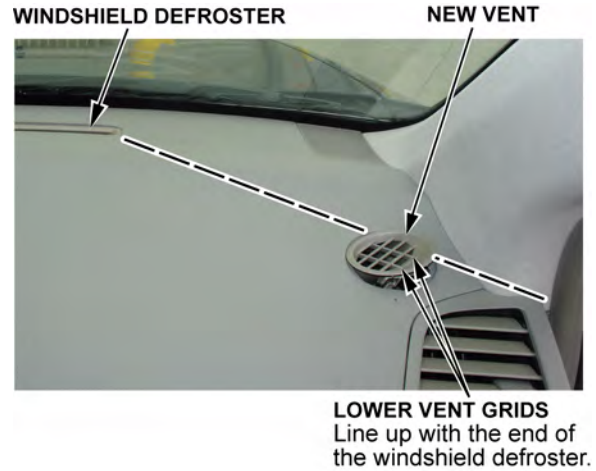
### NOTE:

- Read and understand this procedure before starting. The new vent trim must not be removed once it has been installed. The hooks on the vent trim cannot withstand repeated removal and installation. When any vent trim has been removed, replace it with a brand new vent trim that has never been installed.
- Replace the loose vent trim only; do NOT replace any secure vent trim.
- Make sure the new vent trim is properly aligned, or the side windows may not defrost properly.
- Take care not to scratch the dashboard or the A-pillar trim.
- Use the appropriate tool from the KTC trim tool set to avoid damage when removing components.
- The passenger's side defogger vent trim is shown; the driver's side defogger vent trim is similar.

1. Insert the trim tool between the side defogger vent trim and the dashboard, then release the hooks. Remove the vent trim.



2. Line up the two lower vent grids of the new vent trim with the edge of the windshield defroster vent or at a 45-degree angle to the A-pillar trim.



3. Press the new vent trim slowly and firmly into place directly above the two hooks. Listen for two clicks. Make sure the new vent trim is secure by gently lifting it from the dash with your fingers.

